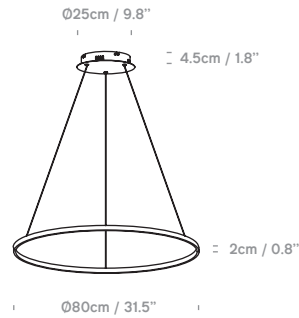


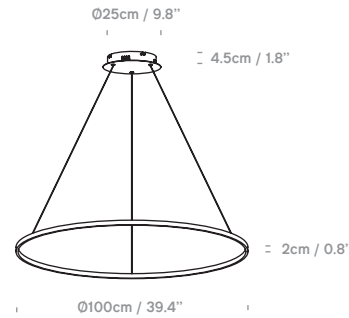
Vortex 40
USA: PV029320XX



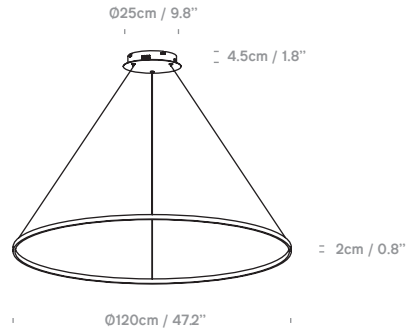
Vortex 60
USA: PV029340XX



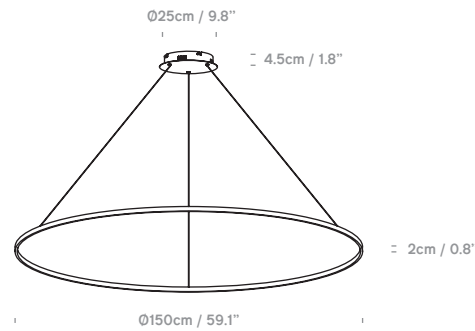
Vortex 80
USA: PV029360XX



Vortex 100
USA: PV029390XX



Vortex 120
USA: PV029395XX



Vortex 150
USA: PV029398XX

Multiple Rings in Single Pendant Available

Order Format:
Product Code A +
Product Code B + ...

Example:
Vortex 150 White +Vortex 120 White
= PV02939801 + PV02939501

Drop Height at 59 inches from ceiling rose and adjustable for each ring.



Colour + EAN/UPC Code

- 01 -White
(RAL 9003 Matt)
UPC:
40: 816827023579
60: 816827023586
80: 816827023593
100: 816827023609
120: 816827023616
150: 816827023623
- 02 -BLACK
(RAL 9011 Matt)
UPC:
40: 816827023517
60: 816827023524
80: 816827023531
100: 816827023548
120: 816827023555
150: 816827023562



Category	Pendant	IP Rating	IP20	LED Chip	Samsung	Other Information	
Material	Aluminium + PMMA	Product Weight	40: 3.3 lbs / 60: 4.4 lbs / 80: 6.4 lbs	Wattage	40: 20W / 60: 30W / 80: 40W	Special Order:	2700K / 3500K / 4000K / 5000K,
Cable	59" Silver Suspension & Output Power Cable	Individual Carton Size	100: 6.8 lbs / 120: 9 lbs / 150: 11.2 lbs	Luminous Flux	100: 50W / 120: 60W / 150: 80W		RAL colour, cable length customizable
Lightsource	Integrated LED		40: 18.5 x 18.5 x 3.9in / 60: 26.4 x 26.4 x 3.9in		40: 1400lm / 60: 2100lm / 80: 2800lm	Energy Efficiency:	Class F
Switched	No		80: 34.3 x 34.3 x 4.7in / 100: 41.7 x 41.7 x 4.7in	Colour Temp	100: 3500lm / 120: 4200lm / 150: 5600lm	LED Life:	Minimum 50,000h
Class	cETLus Class II	Shipping Carton Quantity	120: 49.6 x 49.6 x 4.7in / 150: 61.4 x 61.4 x 4.7in	CRI	3000K		
		Shipping Carton Weight		Dimmable	0-10v dimming		
			40: 9.9 lbs / 60: 11 lbs / 80: 18.7 lbs				
			100: 22.3 lbs / 120: 30.9 lbs / 150: 35.3 lbs				