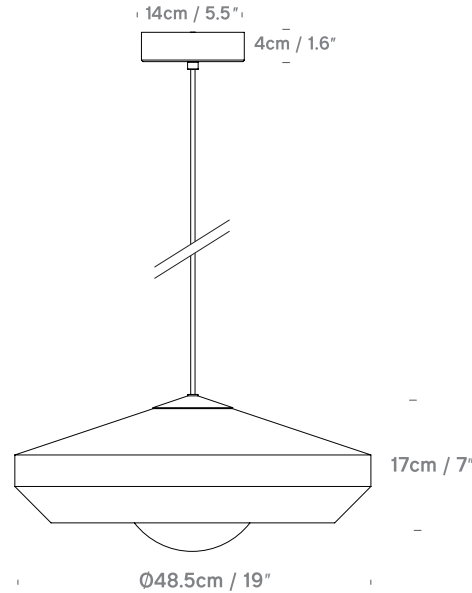



Hoxton 17
USA PH049317-XX




Hoxton 50
USA PH049350-XX



Colour + EAN/UPC Code

 01 - White with Antique Gold Interior (RAL 9003 Matt + RAL 1036 Semi-Gloss)

UPC:
17: 816827021919
50: 816827021971

 02 - Black with Antique Gold Interior (RAL 9011 Matt + RAL 1036 Semi-Gloss)

UPC:
17: 816827021926
50: 816827021988



Category	Pendant / Ceiling Mount
Material	Steel + Aluminium
Cable	Black - 13ft Black Braided White - 13ft White Braided
Lightsource	ES E26 / Max 15W LED
Switched	No
Class	cETLus - Class I
ADA-Compliant	Yes - if installed in compliance with ADA307.

Location Rating	IP20 / Dry Locations
Fitting	4" Octagon Box / No Cutout Needed
Weight	17: 1.9 lbs / 50: 7.9 lbs
Individual Carton Size	17: 9.3"x9.3"x13.8" / 50: N/A
Individual Carton Weight	17: 3.1 lbs / 50: N/A
Shipping Carton Quantity	17: 4 Units / 50: 1 Unit
Shipping Carton Size	17: 19.3"x19.3"x18" / 50: 21.5"x21.5"x12.8"
Shipping Carton Weight	17: 13.4 lbs / 50: 10.8 lbs

LED Chip	Lamp Dependant
Wattage	Lamp Dependant
Luminous Flux	Lamp Dependant
Colour Temp	Lamp Dependant
CRI	Lamp Dependant
Lifetime	Lamp Dependant
LDT / IES Files	Available on
Dimmable	www.innermost.net Lamp Dependant

Recommended Bulb
LED globe bulbs 400 - 1000 lumen output and from 2700K (for warmer with more colour) up to 6000K (daylight)
Hoxton 50 Globe Aperture: 2.75" Diameter.

Smart Compatibility
This product is compatible with most Bluetooth/Wifi E26 bulbs. Please contact us about the Tuya + Cassambi options we can offer.