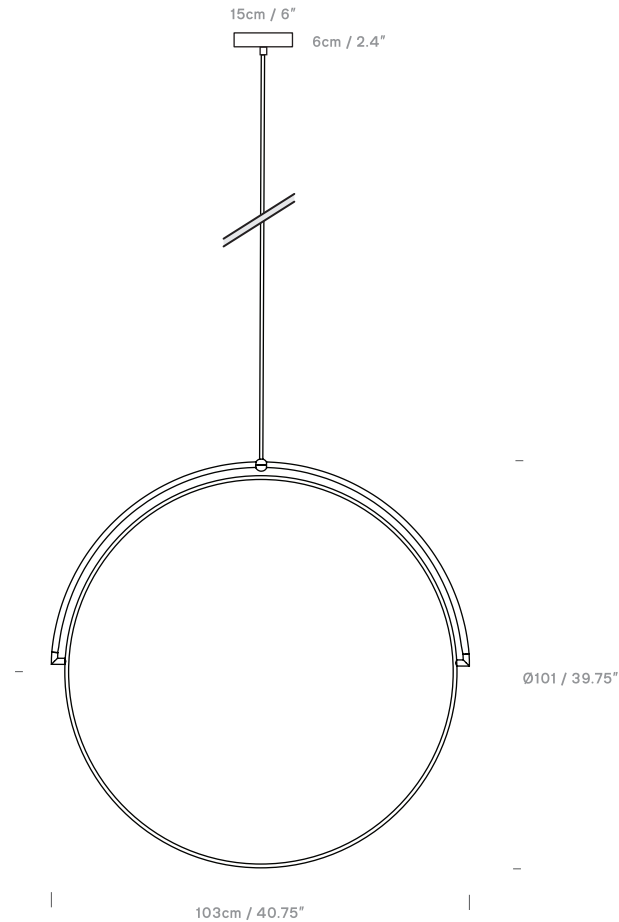


Kepler 65
USA PK04934502



Kepler 95
USA PK04935802



Kepler 65 Weight

Individual Packing Size (cm x cm x cm)	79.5x10x74.5
Master Carton Packing size (cm x cm x cm)	79.5x10x74.5
Individual Net Weight (kgs)	3
Individual Gross Weight (kgs)	4

Kepler 95 Weight

Individual Packing Size (cm x cm x cm)	106x10x112.5
Master Carton Packing size (cm x cm x cm)	106x10x112.5
Individual Net Weight (kgs)	2.22
Individual Gross Weight (kgs)	5.78

Product Category

Pendant

Material

Polycarbonate, steel, Mirco-weave fabric

Cable

4m PVC Cable + optional 1.5m rod for fixed mounting

Ceiling Rose

Black cylindrical

Lightsource

Kepler 65 USA 120v, 10.5W, 1100 Lumen LED Unit
Kepler 95 USA 120v, 15W, 1600 Lumen LED Unit
CE certified, CRI 80, Triac / Lutron Dimmable
1100 / 1600 Lumen 2700K LED Unit
120° Beam Angle

Other

Maximum thickness at ball joint 3cm/ 1.25"